

Series 950 Fixed Lite Window

DWN BY

JDD

CK'D BY

TOLERANCE:

1. FRACTIONS ±1/16
 2. DECIMALS ±.0025
 3. ANGLES ± 1/2 DEGREE
- EXCEPT AS NOTED

DATE

11-30-2015

MAT'L

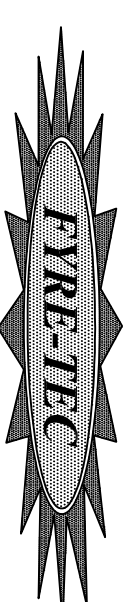
SCALE

1:8

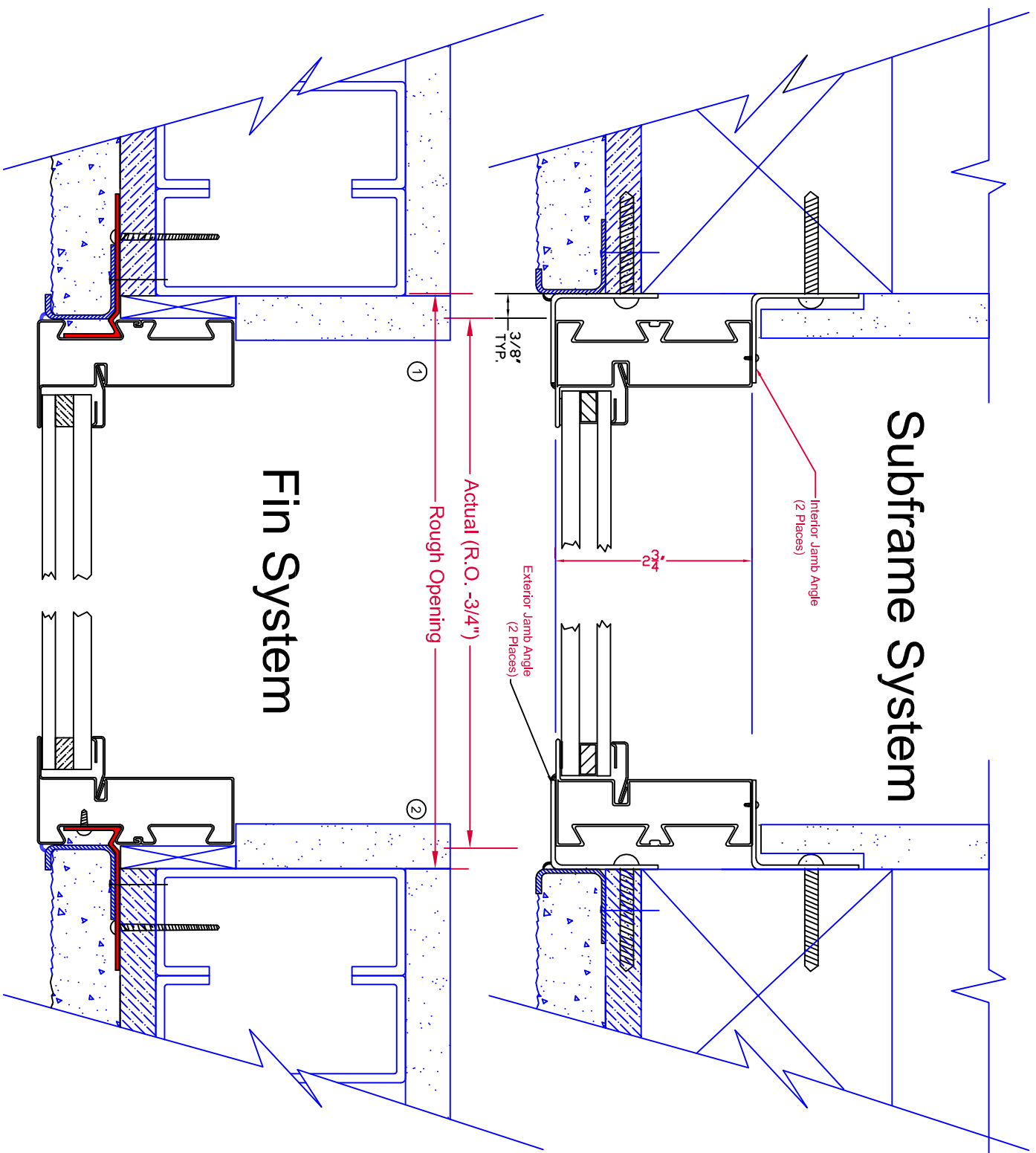
PAGE

1/3

DWG No. MODEL 950



Typical Exterior Elevation
Fyre-Tec Series 950 Fixed Lite Window
 45- or 60-Minute UL Rated

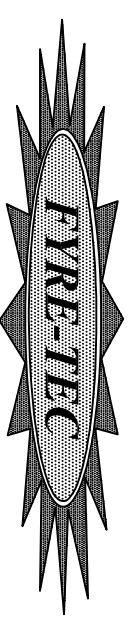


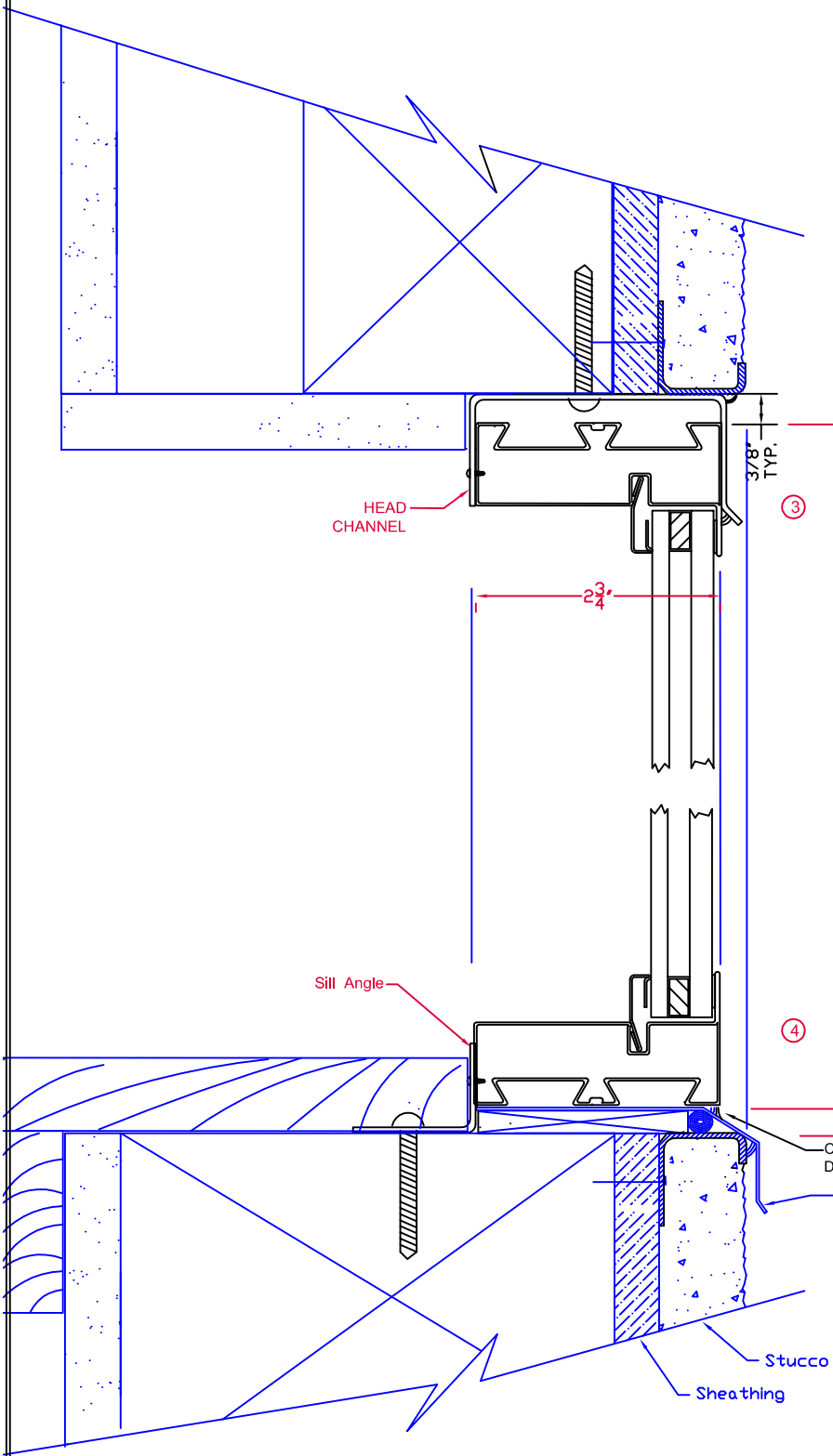
Fin System

Subframe System

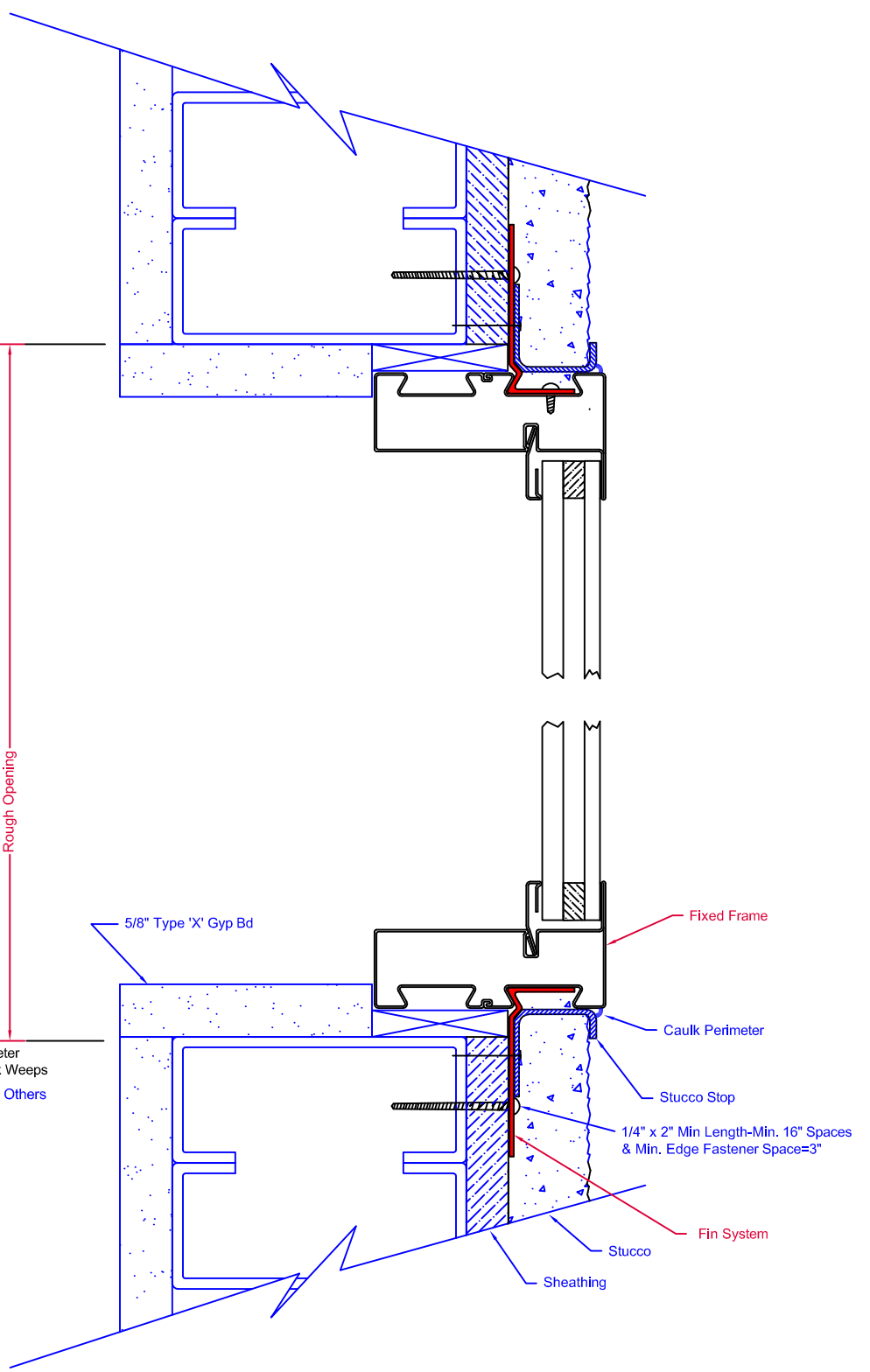
- TOLERANCE:
1. FRACTIONS ±1/16
 2. DECIMALS ±.0025
 3. ANGLES ± 1/2 DEGREE
- EXCEPT AS NOTED

JAMB	
DWN BY JDD	
CK'D BY	
DATE 11-30-2015	
SCALE 1:2	
PAGE 3/3	DWG NO. MODEL 950





Subframe System



Fin System

HEAD/SILL

DWN BY
JDD
CK'D BY

DATE
11-30-2015

SCALE
1:2



TOLERANCE:
1. FRACTIONS ±1/16
2. DECIMALS ±.0625
3. ANGLES ± 1/2 DEGREE
EXCEPT AS NOTED

MAT'L

PAGE
2/3

DWG No. MODEL 950